

DAISHIN PARTS FEEDER

SF SERIES

- D-20SF
- D-25SF
- D-30SF
- D-40SF
- D-50SF
- D-60SF

Model Designation (Example)

D - 20SF - R - 1

- Voltage (1:100V, 2:200V)
- Feed direction (R: clockwise, L: counterclockwise)
- Type of parts feeder
- Name of the manufacturer (Daishin)

Features

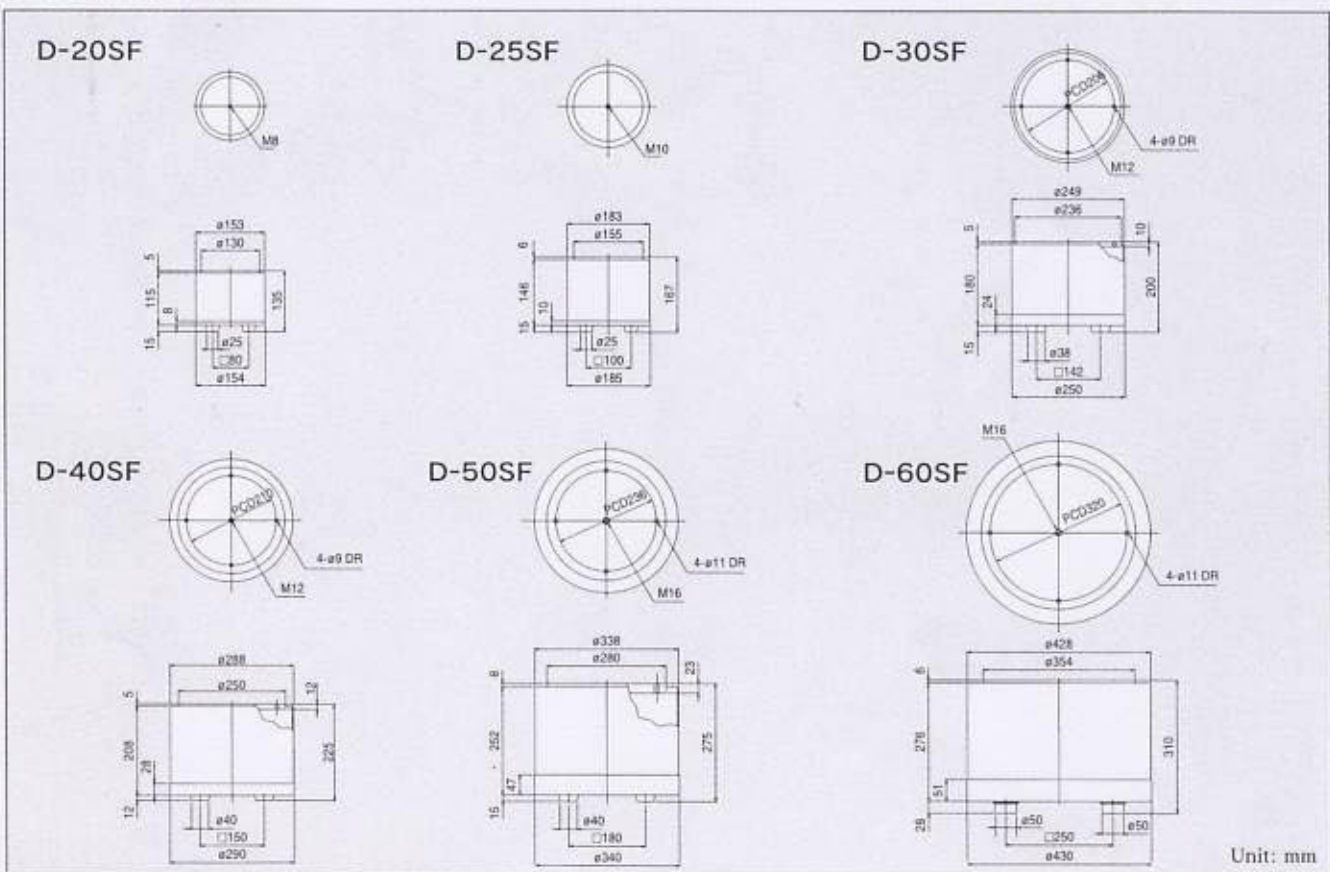
The SF-series Daishin Parts Feeders incorporate our original design features, such as the arrangement and mounting angle of flat springs. The greatly simplified mechanism allows easy maintenance.

The remarkable stability of vibration assures well oriented feeding of parts, and durability is excellent. These parts feeders, coming in diverse models and alignment systems, can be used for a wide variety of parts, from small to large.



D-30SF

Dimensional Drawing



Specifications

Model	Specification	Weight (kg)	Input voltage (V)	Rated current (A)	Frequency of vibration (see Note) 50/60Hz (times/min)	Applicable bowl diameter	Applicable controller
D-20SF		7.0	100/200	0.8/0.4	6,000/7,200	φ 150 ~ φ 200	IX-01/MH-1N
D-25SF		11.5	100/200	0.8/0.4	6,000/7,200	φ 200 ~ φ 250	IX-01/MH-1N
D-30SF		25.0	100/200	1.6/0.8	6,000/7,200	φ 250 ~ φ 300	IX-01,02/MH-1N
D-40SF		33.0	100/200	2.0/1.0	3,000/3,600	φ 300 ~ φ 400	IX-02,05/MH-1N
D-50SF		70.0	200	2.0	3,000/3,600	φ 400 ~ φ 500	IX-05/MH-1N
D-60SF		120.0	200	3.2	3,000/3,600	φ 500 ~ φ 600	IX-05

Note: The frequency of vibration becomes variable when an IX series controller is used.