

DAISHIN PARTS FEEDER

KF SERIES

●D-10KF ●D-15KF

Model Designation (Example)

D - 10KF - R - 1

- Voltage (1:100V, 2:200V)
- Feed direction (R:clockwise, L:counterclockwise)
- Type of parts feeder
- Name of the manufacturer (Daishin)

Features

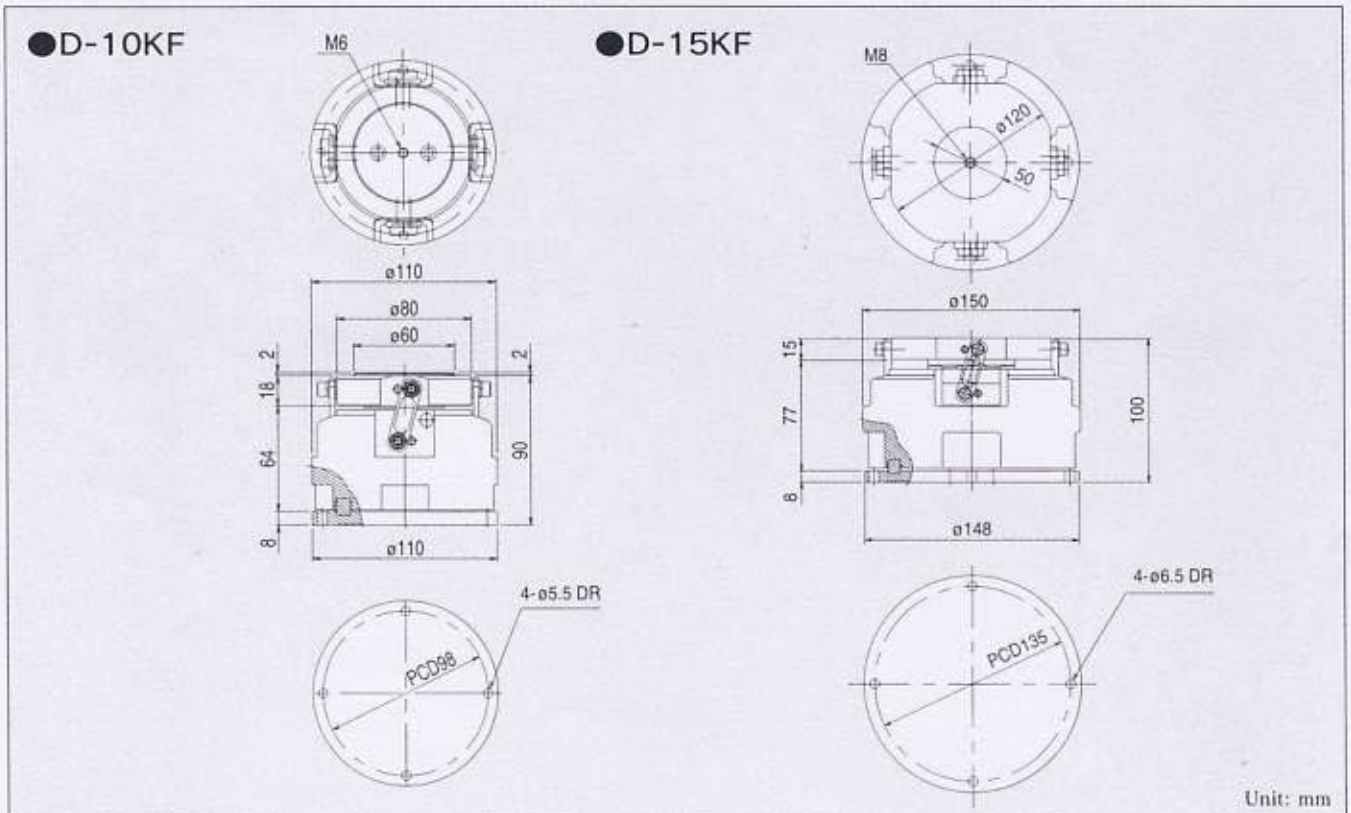
The Daishin Parts Feeder KF Series vibrate at high frequencies of 250 to 350Hz. The flat springs, which are machined with great accuracy, ensure stable high-frequency vibration.

The models of this series are used widely for sorting of tiny workpieces.



D-10KF

Dimensional Drawing



Specifications

Model	Specification	Weight (kg)	Input voltage (V)	Rated current (A)	Frequency of vibration (times/min)	Applicable bowl diameter	Applicable controller
D-10KF		3.9	100/200	0.5/0.25	15000~21000	φ 100~160	IX-01
D-15KF		8.5	100/200	0.5/0.25	15000~21000	φ 170~220	IX-01