

DAISHIN LINEAR FEEDER

FF SERIES

●DL-30FF ●DL-40FF ●DL-50FF

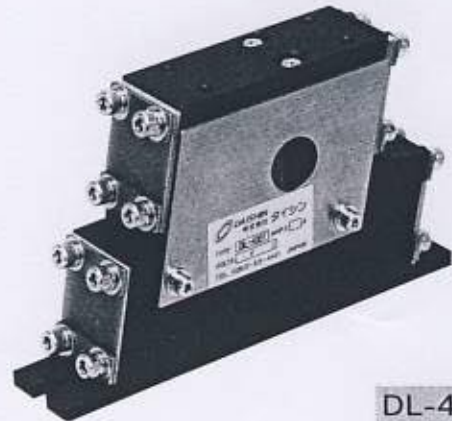
Model Designation (Example)

D L - 30FF - 1

- Voltage (1:100V, 2:200V)
- Body type
- Linear feeder
- Name of the manufacturer (Daishin)

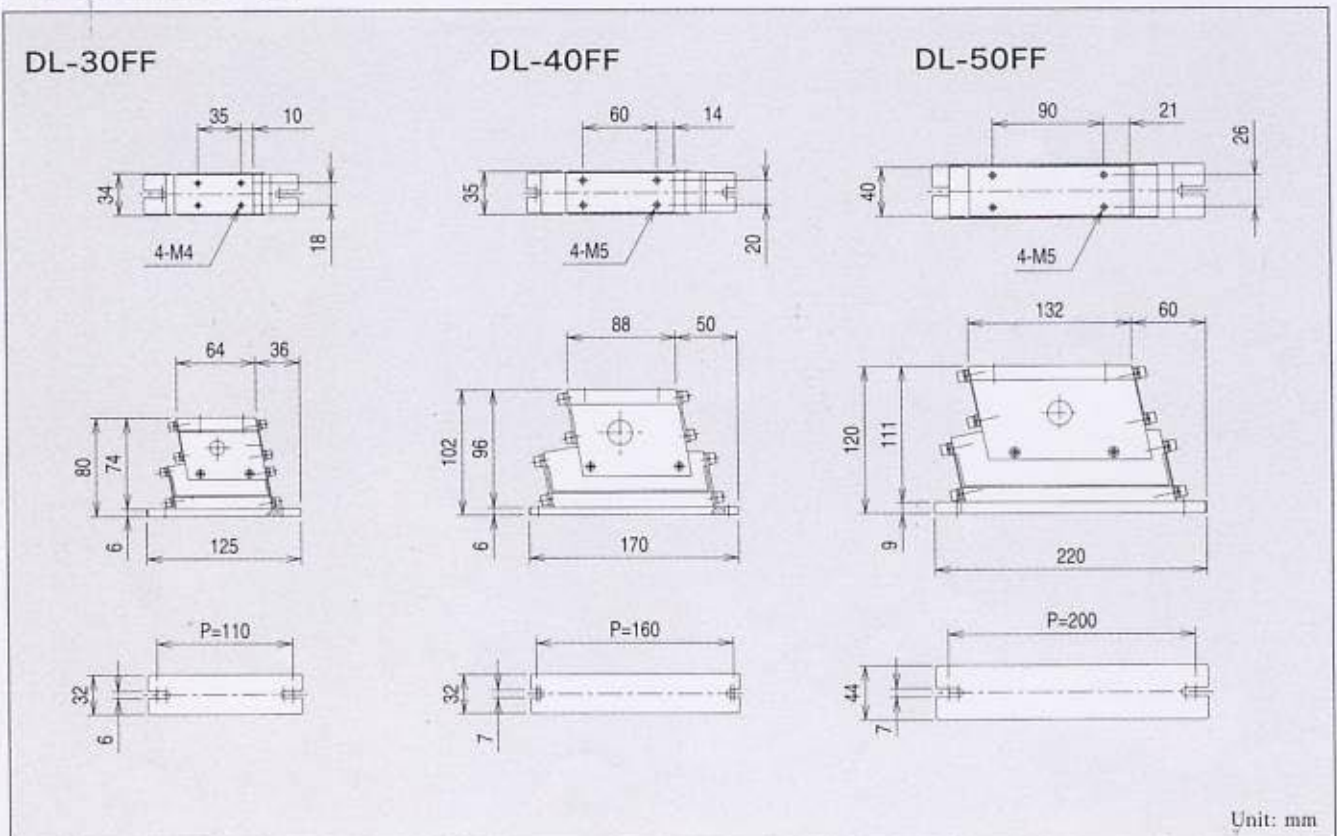
Features

The Daishin Linear Feeder FF Series reduce vibration by flat springs and a balance weight, held between the vibrator and mounting base, that absorb reaction force. These linear feeders are best suited to high-speed conveyance of small and thin precision parts.



DL-40FF

Dimensional Drawing



Specifications

Model	Specification	Input voltage (V)	Rated current (A)	Frequency of vibration (times/min)	Weight (kg)	Chute length (mm)	Chute weight (kg)	Applicable controller
DL-30FF		100/200	0.1/0.05	6,000~7,200	1.4	100~150	0.5	IX-01
DL-40FF		100/200	0.2/0.1	6,000~7,200	2.8	150~250	1	IX-01
DL-50FF		100/200	0.2/0.1	6,000~7,200	6	250~350	1.2	IX-01